



# FLAIR

Simple & efficient, the Flair delivers consistently high quality hot beverages for low volume applications. With its self-contained water tank and cooler, the Flair is highly portable and an ideal solution for fine dining, office coffee, hospitality and catering.

[www.us.franke-cs.com](http://www.us.franke-cs.com)



**Franke Coffee Systems Americas**  
800 Aviation Parkway  
Smyrna, TN 37167  
Tel: 1 800 310 5710  
Email: [fs-sales.us@franke.com](mailto:fs-sales.us@franke.com)  
[www.us.franke-cs.com](http://www.us.franke-cs.com)

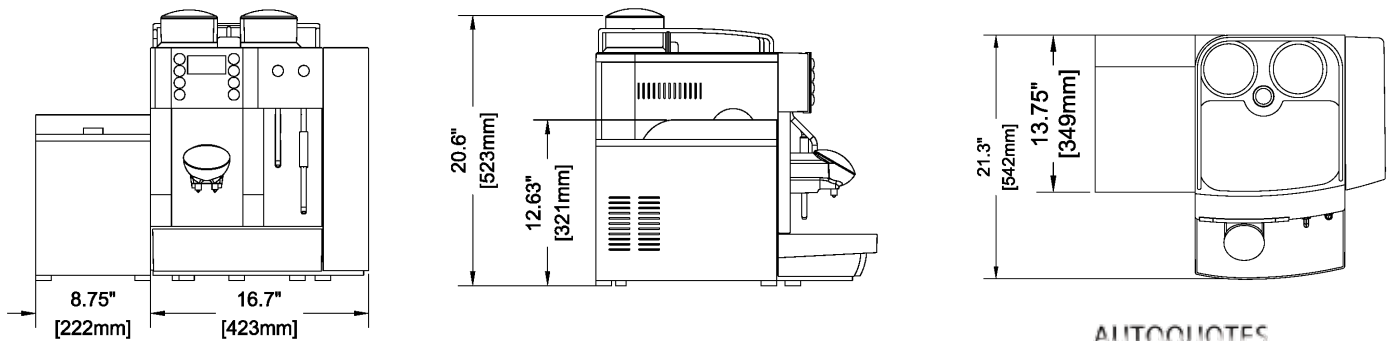
**FRANKE**

## FEATURES & BENEFITS

The Flair offers the ultimate user convenience. Having many of the same features as the higher volume Franke superautomatic espresso machines; the Flair delivers consistent high quality for low volume applications. The flair can make cappuccinos and lattes at the touch of a button and the hot water outlet and steam arm adds to beverage flexibility. The machine also comes with a separate Milkmate cooler. Storing one (1) gallon US milk jugs, the Milkmate keeps milk cool and enclosed. The flair is an ideal solution for fine dining, office coffee, hospitality and catering.

- 8 programmable beverages
- Illuminated LCD display
- One touch grind, tamp and brew
- 2 grinders for regular and decaf coffee
- Hot water outlet
- Steam arm
- Adjustable height coffee dispenser for various cup sizes
- Self-contained water tank
- In-tank water filtration
- Compact 13" footprint with 9" fridge saves valuable counter space
- Installation and maintenance guide provided
- 12 month parts and labor warranty (mail in only)
- 24/7/365 customer support program

## DIMENSIONS



AUTOQUOTES



## SPECIFICATIONS

Model	# Grinders	Milk types	Hot water	Hot milk	Cold milk	Foamed milk	Steam	Autosteam Pro™	Direct water connection	Water tank	Part number
F 2M HD CE2	2	1	•	•	•	•	•	•	•	•	70003084-PKG
F 2M HD CE2 W (Direct water connection)	2	1	•	•	•	•	•	•	•	•	70004255-PKG

Range	Cup height	Hopper	Finish
50 cups	3.5"-6.5" 90-165mm	(2) 0.5lbs ea (2) 0.2kg ea	Black finish

Programming	Display
8 Programmable products	LCD 2 lines 18 letters per line

Unit	Height	Width	Depth	Ship weight	Voltage/Phase/Cycle	Wattage	Amp Load	Amp Circuit	Plug	Water line	Water hardness	Drain
Espresso	20.6" 534mm	16.7" 432mm	21.3" 559mm	40 lbs 18 kg	110/1/60	1300	13 A	15 A	NEMA 5-15P	1.3g (5L) water tank	1-5 gpg	n/a
Cooler	12.63" 321mm	8.75" 223mm	13.75" 350mm	15 lbs 7kg	110/1/60	60	0.5 A	15 A	NEMA 5-15P	n/a	n/a	n/a

